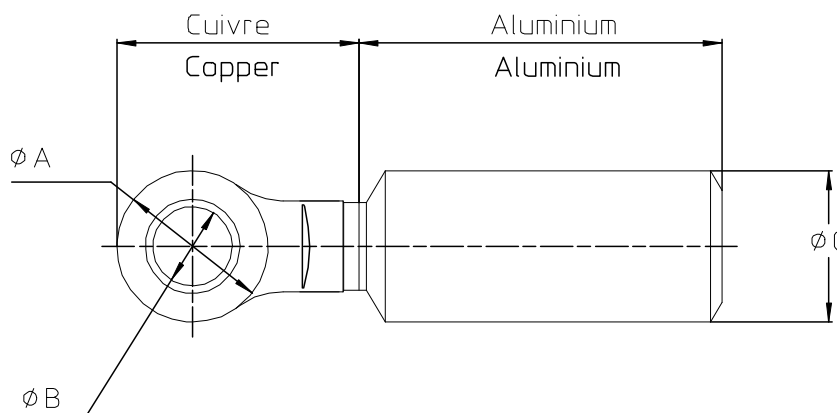
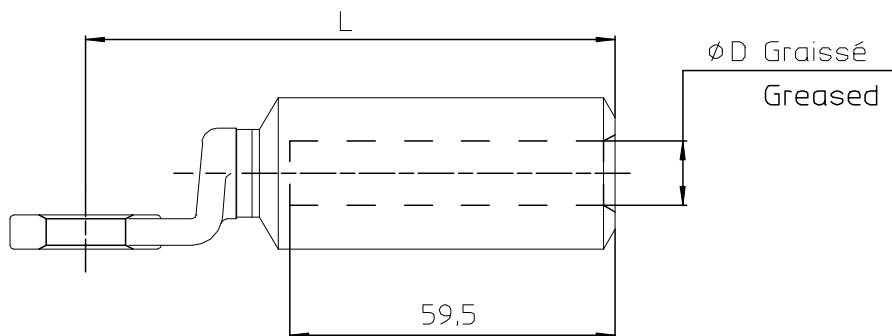


LOC FH	DIST 2	REVISIONS				
P	LTR REV	DESCRIPTION MODIFICATIONS	DATE	DWN DESS.	APVD APP.	
	0	Creation	24-Jul-98	CA	JT	

MARQUAGE/MARKING

Reference/logo/date / DIE



PN	REFERENCE	SECTION mm2	DIMENSIONS					
			øA	øB	øC	øD	L	DIE
719782-1	XCX 120 C2AU 120	120	30	12,8	25	13,7	94	MC-2E 2E
719783-1	XCX 150 C2AU 150	150				15,5		
739006-1	XCX 185 C4AU 185	185			32	17		MC-4E 4E
739007-1	XCX 240 C4AU 240	240				19,5		

RELEASED FOR PUBLICATION

THIS DRAWING IS UNPUBLISHED.
DIFFUSION RESENTE AMP

BY AMP INCORPORATED. ALL RIGHTS RESERVED. TOUS DROITS RESERVES.

© COPYRIGHT 19

DIMENSIONS: mm	DWN /DESSINE ANDRE	24-Jul-98	MATERIAL MATIERE	-	FINISH FINITION	-
	CHK /VERIFIE JEITZ	-	 21220 Gevrey Chambertin FRANCE			
TOLERANCES UNLESS OTHERWISE SPECIFIED PER TOLERANCES NON SPECIFIEES SELON :	APVD /APPROUVE THIARD	-				
	PRODUCT SPEC SPEC. PRODUIT	-	XCX .. C2AU / C4AU			
APPLICATION SPEC SPEC. APPLICATION C-33090-1	WEIGHT MASSE APPROX.	-	SIZE FORMAT	A4	CAGE CODE	00779
	CUSTOMER DWG / PLAN CLIENT		DRAWING NO No PLAN	© 719782		
UNIQUEMENT POUR REFERENCE			SCALE ECHELLE	-	SHEET FEUILLE	1 OF 1 DE 1
					REV	0